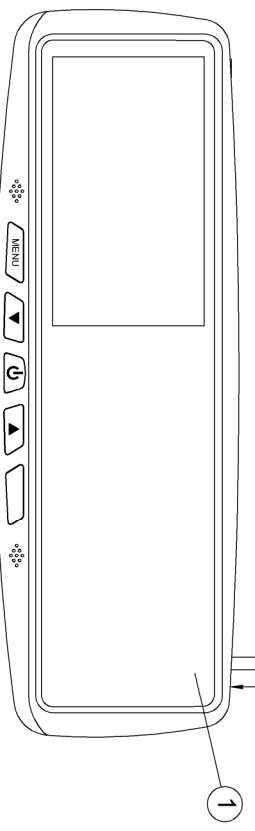
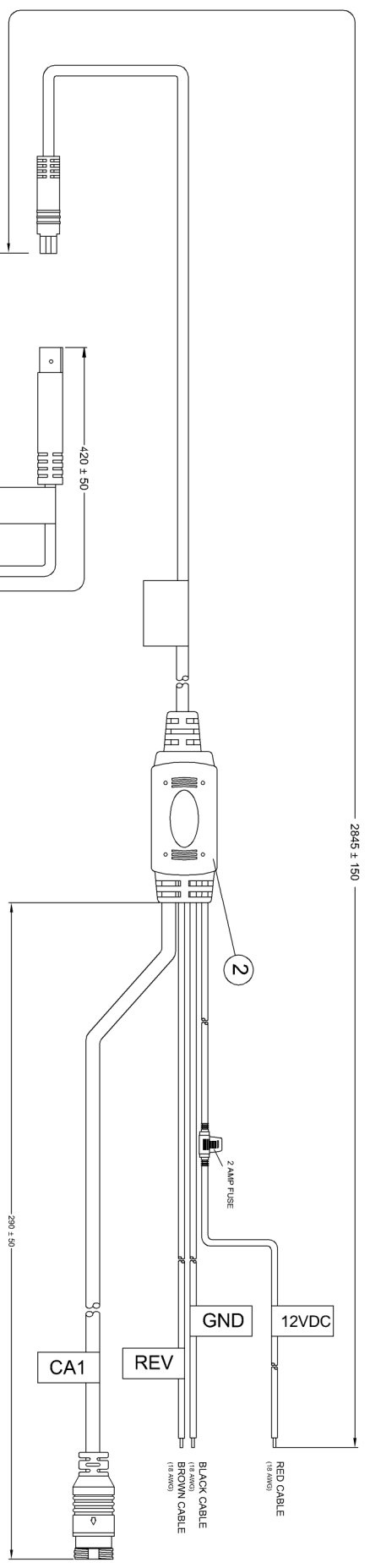


Revision Notes:		
Checked By: -	Approved By: -	Date Released: -



ITEM	STOCK CODE	QTY	MODEL/DESCRIPTION
①	(4071)	1	VBV-243M-W 4.3" LCD SCREEN, 1 CAMERA WITHOUT AUDIO MONITOR ONLY (12Vdc)
②	(4072)	1	VBV-243M-CA CABLE ADAPTER (12Vdc)
③	(4164)	1	VBV-243M-HG INSTALLATION GUIDE (NOT SHOWN)
④	(4165)	1	VBV-243M-FIX FIXING PACK (NOT SHOWN)
⑤	(4166)	1	VBV-243M-WS-BKT WINDSCREEN BRACKET (NOT SHOWN))

- NOTES:
1. REFER TO COMPONENT DRAWINGS FOR COMPONENT DETAIL.
 2. REFER TO PS (4070)-00 VBV-243M FOR PRODUCTION SPECIFICATION.
 3. FOR GIFTBOX LABEL REFER TO LATEST REVISION OF DRAWING BE:002037-XX-12.
 4. FOR GIFTBOX SERIAL NUMBER LABEL REFER TO LATEST REVISION OF DRAWING BE:001 323-XX-10.

PROPRIETARY NOTICE
 THIS DESIGN AND TECHNICAL INFORMATION APPEARING ON THIS DRAWINGS THE PROPERTY OF BRIGADE ELECTRONICS AND IS DISCLOSED IN CONFIDENCE. IT IS NOT TO BE COPIED, REPRODUCED, REVEALED TO OR EXPLOITED BY OTHERS, EITHER IN WHOLE OR IN PART WITHOUT THE EXPRESS WRITTEN CONSENT OF BRIGADE ELECTRONICS.

 Third Angle		BRIGADE® www.brigade-electronics.com	
		Assembly Pl Approval BIN XIONG (21/08/12)	
Status RELEASED	Approved by S.MATTHEWS	Checked by JNEWMAN	Drawn by MBUTLER
	Units mm	Scale N/A	Released 29/08/12
Stock Code 4070	VBV-243M BE-002039-00-12		